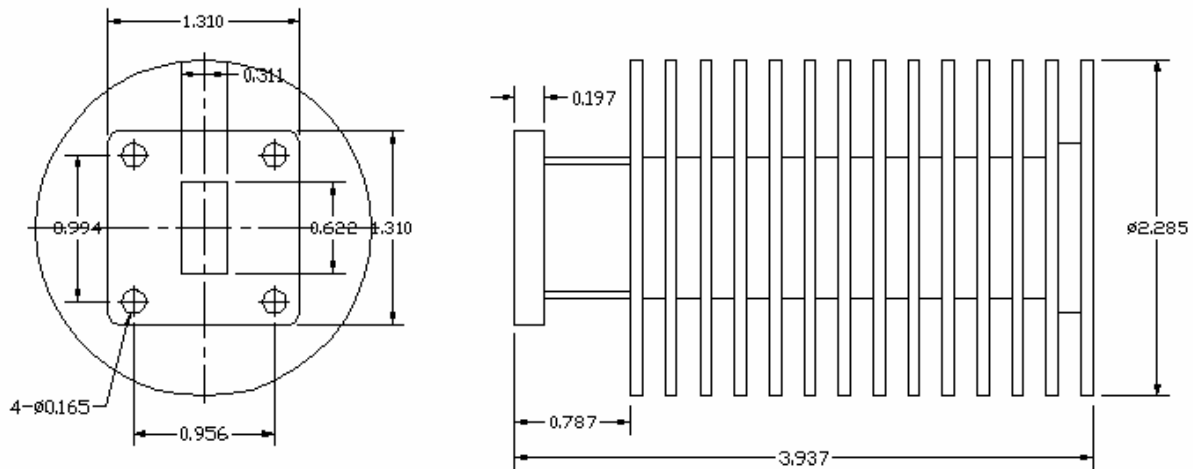


Electrical Specifications:

- Frequency Range: 12.4~18.0GHz
- VSWR: 1.15:1
- Average Power: 75 Watts CW
- Peak Power: 1 kW
- WR62 Waveguide, Customer can specify other flange type
- Size: $\Phi 2.285 \times 3.937$ inches
- Cooling: Air
- Surface Temperature: ~110 degree C @50 watt CW power and room temperature

Mechanical Structure:

Note: All units in inches.